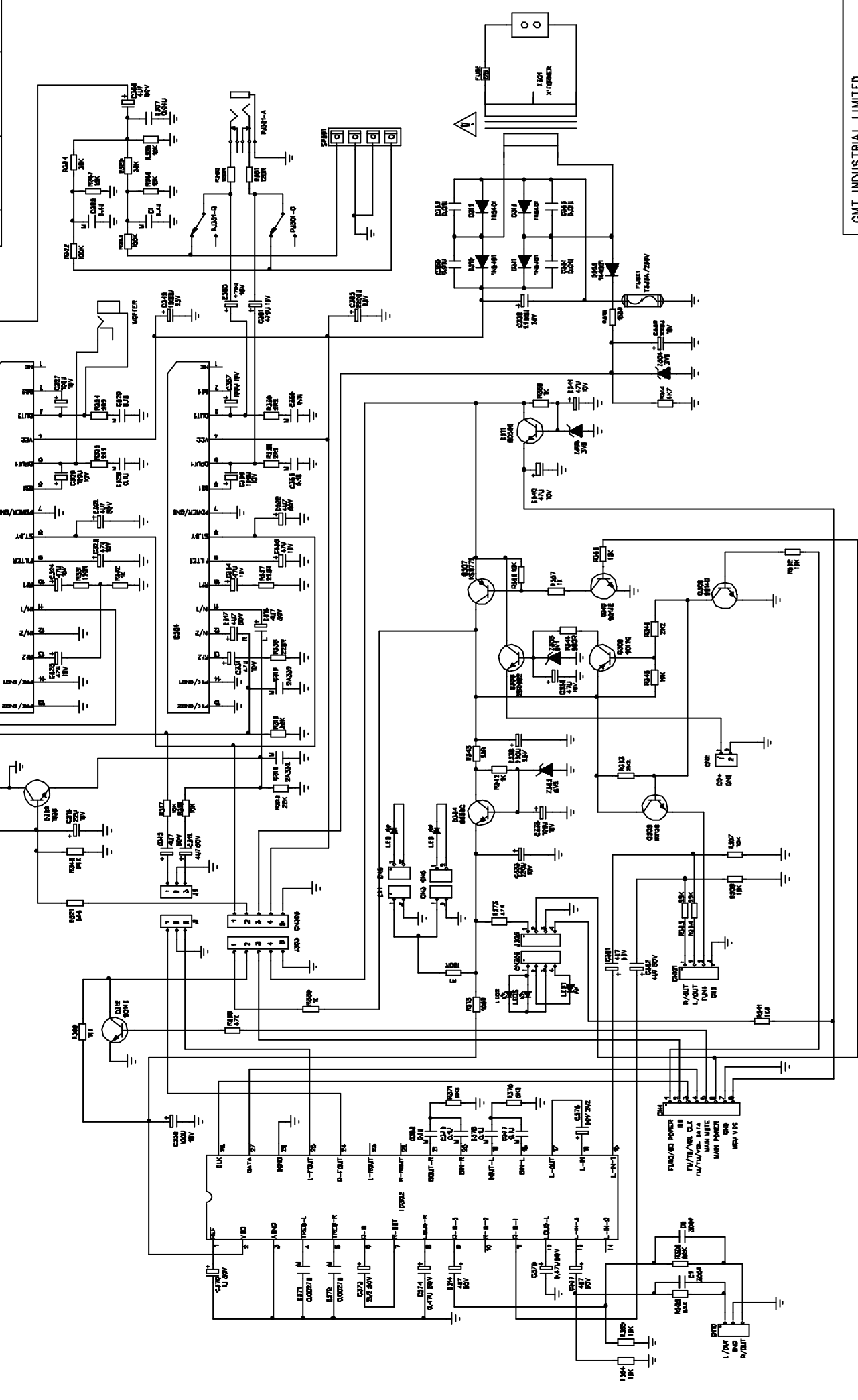


REVISION	
LTR	ECO NO.:
APPROVED:	DATE:



LTR	REVISION RECORD	DATE:
	ECO NO:	APPROVED:

